

Minex is a complete solution for air-to-air heat transfer and recovery from ventilation and process air.

Minex can also be used for cooling/dehumidifying air. Minex is suitable for wall mounting and is supplied complete with connections for spiral ducts or hoses. Minex's integrated aluminum flat plate heat exchanger can be removed easily for cleaning.

Minex can be mounted for both vertical and horizontal air flows. Available in four sizes for airflows between 100 and 2 600 Nm³/h.

TECHNICAL DATA

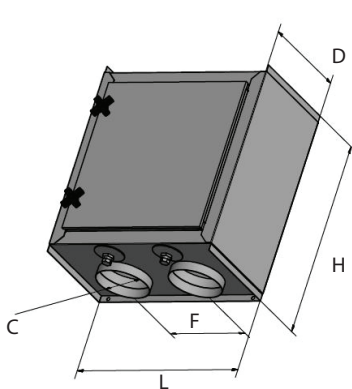
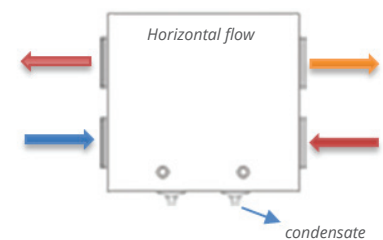
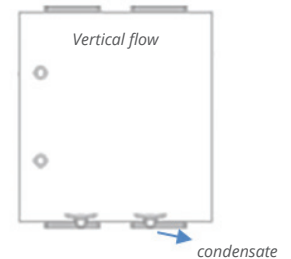
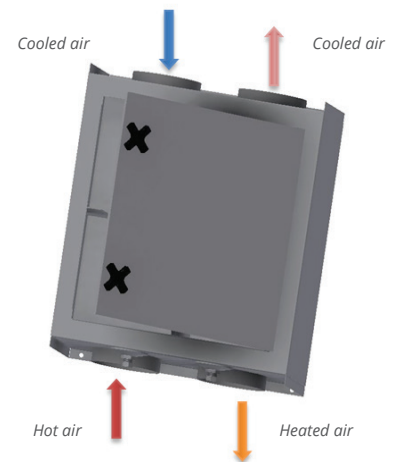
- Max temperature: 90°C
- Housing: 0,7 mm galvanized steel, inside and outside painted
- Standard colour: White (RAL 9016)
- Heat exchanger: Aluminium
- Drain connections: 2 pcs 1/2" external thread
- Design: Minex is delivered for vertical air flow, but can easily be changed for horizontal flow.

Minex has easy access for cleaning heat exchanger via a door or removable cover:

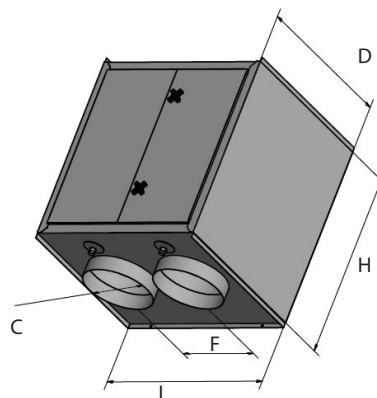
- Minex 330-340: A side-hinged door, Single plate heat exchanger
- Minex 500: Two side-hinged doors, Single plate heat exchanger

MINEX VERSIONS

Part no.	Description	Airflow (Nm ³ /s)	Capacity Pressure drop (Pa)	Efficiency (%)	Dimensions (mm)						Weight (≈ kg)
					H	L	D	D incl. door	C	F	
531001	Minex 330	0,05 - 0,15	25 - 100	70 - 50	603	558	295	≈ 780	Ø160	251	13
531002	Minex 340	0,10 - 0,30	80 - 150	65 - 45	603	558	395	≈ 880	Ø200	251	15
532101	Minex 500	0,30 - 0,70	40 - 250	70 - 50	884	842	717	≈ 1100	Ø315	380	65



Minex 330 and 340



Minex 500